



OPERATOR'S INSTRUCTION MANUAL

MODEL : **410 000** _____

ENGINE MODEL : _____

SERIAL : _____

ENGINE SERIAL : _____

DATE OF PURCHASE : _____

PURCHASED FROM : _____



⚠️ WARNING ⚠️

THIS PRODUCT IS DESIGNED AND MANUFACTURED TO PROVIDE SAFE AND DEPENDABLE SERVICE IF OPERATED ACCORDING TO INSTRUCTIONS. THE MANUFACTURER PROVIDES THE FOLLOWING INSTRUCTIONS FOR USE AND CARE OF THIS EQUIPMENT AND RELIES UPON THE PURCHASER TO SEE TO IT THAT THESE INSTRUCTIONS ARE MADE CLEAR TO THE PERSONS WHO WILL ACTUALLY BE USING THE EQUIPMENT. FAILURE TO DO SO COULD RESULT IN SERIOUS INJURY OR EQUIPMENT DAMAGE.



TABLE OF CONTENTS

INTRODUCTION	3
PREPARATION	4
OPERATOR	4
WEAR PROPER ATTIRE	4
ROOF PREPARATION	4
(IF G41 IS TO BE USED BY ROOFERS)	
INSPECT ROOF DECK	4
WARNING LINE SYSTEM	4
HOISTING MACHINE TO ROOF	5
CONNECTING TO LIFT RINGS	5
PRECAUTIONS	6
SAFETY PRECAUTIONS WHEN WORKING ON A ROOF	7
KNOWING THE G41	7
SPECIFICATIONS	8
THE CONTROLS	9
ATTACHMENT PLATE AND CONNECTORS	10
WORKING AREA	10
OPERATING PRECAUTIONS	11
START UP PROCEDURE	12
SHUT DOWN PROCEDURE	12
MOUNTING ATTACHMENTS	13
RELEASING ATTACHMENTS	13
OPERATING THE STANDARD BUCKET	13
LOUVERS	14
MAINTENANCE	14
MAINTENANCE CHART	14
ENGINE OIL CHECK	15
ENGINE OIL AND FILTER CHANGE	15
ENGINE AIR FILTER	15
FUEL FILTER	15
REFUELING	15
SPARK ARRESTOR (MUFFLER)	15
BATTERY	16
HYDRAULIC OIL LEVEL	17
HYDRAULIC OIL CHANGE	17
CHECK HYDRAULIC HOSES	18
GREASE (LUBRICATION)	19
TIRE PRESSURE	19
BLOW OUT	20



INTRODUCTION

410 000 G41 MINI LOADER

Thank you for purchasing this quality GRIZZLY product. With proper use and care, the G41 will provide many years of reliable service. For the safety of all job-site personnel it is mandatory that the instructions provided for the use and handling of the equipment be read and thoroughly understood by the operators.



Fig.1

CAUTION

INTENDED USE; THIS MACHINE IS INTENDED TO BE USED ON FLAT, LEVEL GROUNDS. ABUSE AND OR MODIFICATION OF THIS EQUIPMENT VOIDS THE MANUFACTURER'S WARRANTY AND IS THE SOLE RESPONSIBILITY OF THE OWNER/USER, SHOULD ANY DAMAGE OR INJURY OCCUR.



PREPARATION

OPERATOR

START BY READING AND FULLY UNDERSTANDING OPERATING INSTRUCTIONS. IF SOMETHING IS NOT UNDERSTOOD, HAVE SOMEONE ELSE READ AND EXPLAIN THE INSTRUCTIONS TO THE OPERATOR OR CALL THE MANUFACTURER FOR INFORMATION. AN UNINFORMED OPERATOR CAN SUBJECT HIMSELF AND OTHERS TO DEATH OR SERIOUS INJURY.

WEAR PROPER ATTIRE

Safety glasses are recommended and must be worn if any roof cutting or scraping is being done in the vicinity. Safety glasses and or face shield are also necessary when working with hot stuff.

Wear properly fitting clothes. Tight clothing can restrict movement and slow down reaction time in a dangerous situation.

Loose fitting clothing can be dangerous and cause serious injury if it gets caught in moving mechanical parts. Wear a long-sleeved shirt, buttoned at the cuffs, safety shoes, and pants without cuffs, and knit wrist type gloves.

A hard hat must be worn by operator when working on a job site.

ROOF PREPARATION (IF G41 IS TO BE USED BY ROOFERS)

INSPECT ROOF DECK

Before allowing equipment and personnel access to roof, make certain roof is strong enough to support the weight. Check load limits of deck with owner, builder or architect. Clear the work area of all potentially dangerous obstacles that could cause personal injury to the operator or others. Keep unauthorized people away from construction area. Check to see that all roof openings are guarded to protect against falls.

WARNING LINE SYSTEM

The operation of this piece of equipment must be in compliance with Federal OSHA standards governing safety perimeters with respect to the use of power equipment. When operating parallel to roof edge warning line system must be at least six feet from edge. When operating perpendicular to edge warning line must be ten feet from roof edge. For specific information on warning lines, the use of guard rails and motion-stopping safety systems, refer to section on OSHA Law.



HOISTING MACHINE TO ROOF

WARNING; ALWAYS CHECK DECK LOAD LIMITS WITH BUILDER, OWNER, OR ARCHITECT BEFORE DECIDING TO USE ON THE ROOF

CONNECTING TO LIFT RINGS

Four hoist rings are provided on the G41 as shown in Fig. 1 and 2.

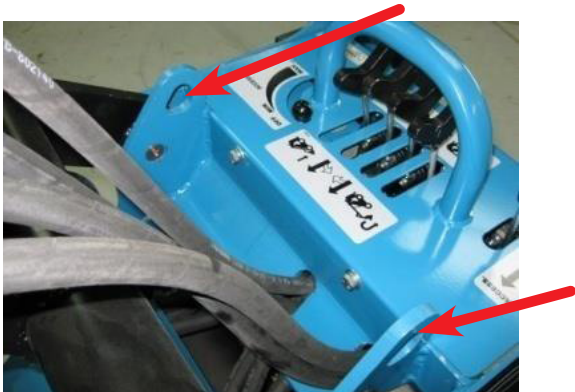


Fig.1

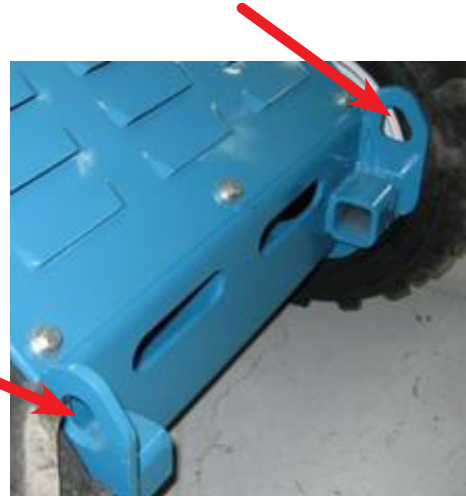


Fig.2

WEIGHT :	G41 Only :	410000	1190 lbs
	Shovel :	410100	120 lbs



PRECAUTIONS

- Only qualified, authorized adults should be allowed to operate this machine.
- Read and understand all manuals and instructions before operating and servicing.
- Inspect work area for holes, drop-offs or unstable ground. Know the weight limitation of operating surfaces and clearances.
- Make certain all controls and levers are in the neutral or "OFF" position before starting engine (Fig. #3, #5 and #6).
- Operate the controls smoothly, do not make brisk movements.
- Never back up without looking behind you.
- Always bring the accessory flow lever to the "OFF" position before engaging or disengaging the accessory lever.
- Then increase flow as desired. (Fig. 3, #6)
- Do not allow people near the machine during operation.
- Never carry or transport people in any circumstances.
- Never operate a machine that is damaged in any way. Repairs or replacement of damaged components must be made by a qualified mechanic.
- Do not modify this machine. Do not operate a modified machine.
- Wear safety footwear, eye and ear protection and snug fit clothing.
- Operate the G41 only from the operator's platform.
- Always shut down G41 as in the "shut down procedure" before stepping down from the operator platform.
- Always chock wheels when parking machine on a slope.
- Always wear protective gear when operating and servicing this machine, machine will be hot and escaping oil can burn and or penetrate skin.
- Relieve hydraulic pressure before servicing hydraulics or using quick connectors.
- Make certain all pins and bolts are used and secure.
- Always use the cylinder lock if maintenance is required under the loader arms and or you want to keep the loader arms up without being on the operator platform. (Fig. 10)
- Never allow the G41 to be left alone with the engine running and or with the loader arms up if the cylinder lock is not in place. (Fig. 10)
- Keep children and pets at a safe distance at all times.
- Keep hands, fingers and feet from moving parts at all times.
- Operate the G41 on flat level ground as much as possible.
- Stay alert and aware of your surroundings and stop operations if someone wanders to close to the machine.
- Most parts of the G41 will be very hot while machine is in operation and after, keep from touching any hot part of it and wear gloves.
- Do not operate this machine if you are under the influence of alcohol, marijuana, or drugs that could impair your judgment and ability.
- Use extreme caution when handling fuel. Gasoline is very flammable. Shut off engine, allow to cool before re-fuelling. Clean up spilled gasoline before restarting. (Fig. 12)
- Never carry objects that may restrict or obstruct your vision.
- On slopes, keep heavy end of loader uphill. (See operating precautions)
- Travel up or down, never across slopes.



SAFETY PRECAUTIONS WHEN WORKING ON A ROOF

- Please follow all previous precautions plus the following.
- Check load limits of the deck with owner, contractor or architect before attempting to use the G41 on a roof.
- Guard all openings on the roof.
- Do not operate within 10 feet of roof edge (or within 6 feet, if operation is parallel to the edge).
- Make certain OSHA requirements for safety equipment and handling of material are satisfied.

KNOWING THE G41

The G41 has 4 hydraulic wheel motors that allow forward, reverse and turning without relying on chains that stretch and can break. These motors are controlled by two levers. Two control levers are also provided for lift of the loader arms and tilt of the attachment plate. The control levers are sensitive and require some practice to enjoy the manoeuvrability they will provide to the operator.

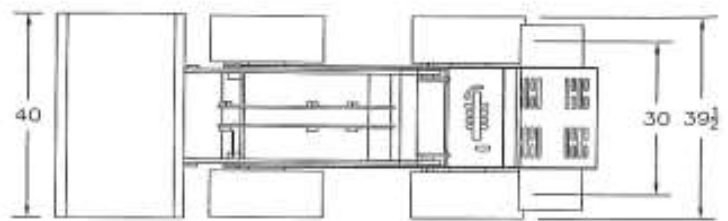
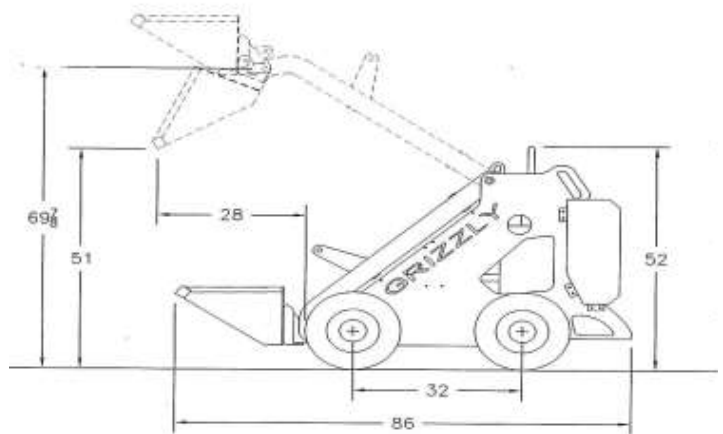
Attachments are controlled by the accessory control lever, this is a push to engage and pull to engage lever with detent. The center position is the "OFF" position. This allows for clockwise and counter clockwise rotation of a hydraulic motor or in and out of a hydraulic cylinder. (Keep from using the detent if operating an accessory with a cylinder).

The G41 also provides the ability to decide how much hydraulic oil flow the operator wants to direct to the accessory by adjusting the flow control lever.



SPECIFICATIONS

Model:	#410000
Engine:	Kohler CH20S
Weight:	1190 lbs
Weight with bucket:	1310 lbs
Length:	66"
Length with bucket:	86"
Height:	52"
Width:	39"
Wheelbase:	32"
Clearance:	5.75"
Hinge pin height:	69.75"
Angle of departure:	22 deg.
Dump angle: (std bucket):	41 deg.
Rollback:	35
Reach at 41 deg. Dump:	23.75"
Operating capacity:	500 lbs
Tip load:	1000 lbs
Max. speed:	4 mph
Gasoline capacity:	8 gal.
Hydraulic oil capacity:	15 gal.
Hydraulic press. main valve:	2900 psi
Hydraulic press. accessory valve:	2500 psi
Hydraulic pumps:	12 gal.
Wheels (std):	18 X 8.50-8



THE CONTROLS

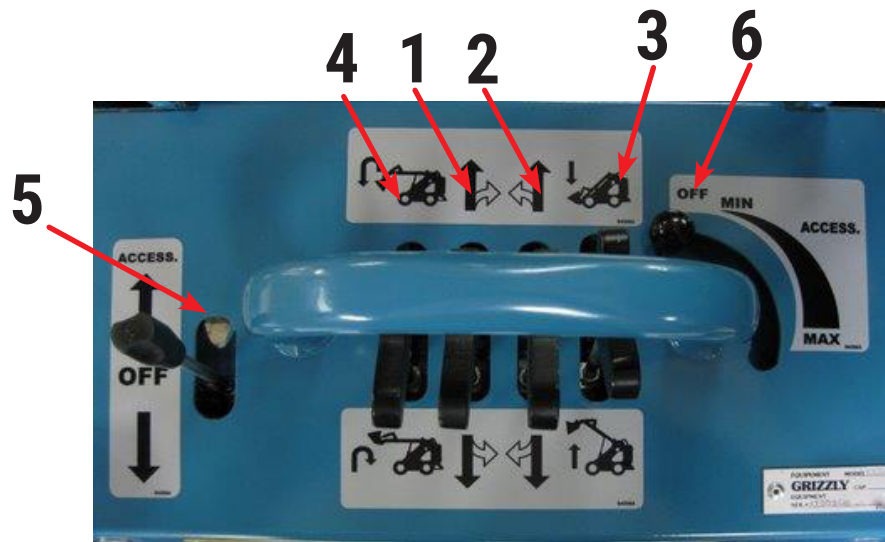


Fig.3

1. **Control lever for the left side travel motors**
Pushing forward on this lever turns the left wheels forward
Pulling back on this lever turns the left wheels backward
2. **Control lever for the right side travel motors**
Pushing forward on this lever turns the right wheels forward
Pulling back on this lever turns the right wheels backward
3. **Control lever for loader arms**
Pulling on this lever lifts the loader arms
Pushing on this lever lowers the loader arms
4. **Control lever for the tilt function**
Pushing on this lever tilts the attachment plate forward.
Pulling on this lever tilts the attachment plate backward.

If you push on this lever past its detent point it will lock and activate the float function which allows the loader arms to float and allows the bucket or other attachments to follow the contours of the ground.

DANGER: NEVER PUT THIS LEVER IN ITS DETENT POSITION BEFORE THE LOADER ARMS ARE ON THE GROUND, OTHERWISE THEY WILL FALL TO THE GROUND CAUSING DAMAGE AND OR INJURY.

5. **Accessory control lever**
This lever will direct oil flow to the accessory. The operator can either push or pull on the lever to send oil flow to a hydraulic cylinder. Or if the accessory has a hydraulic motor, the lever can be set in its forward or reverse detent position.
Make sure to bring the lever back to the "OFF" or center position to stop flow to the accessory and to relieve pressure.

NOTE: THE ENGINE MAY BE HARD TO TURN OVER WHEN STARTING IF THIS CONTROL LEVER (#5) IS LEFT IN A DETENT POSITION.



6. Flow control lever

This lever will provide more or less flow to the accessory valve allowing the operator to choose the flow at which he wants to operate an attachment without having to lower or increase engine RPM.

It is also a good idea to reduce flow before engaging and disengaging the accessory lever to minimize shock to the accessory motor

NOTE: WHEN AN ACCESSORY IS NOT BEING USED, IT IS BEST TO LEAVE THIS LEVER (#6) IN THE "OFF" POSITION.

ATTACHMENT PLATE AND CONNECTORS

The G41 features a universal attachment plate which allows the use of numerous accessories such as buckets, sweepers, tear-off blades, augers, plows, forks, etc... The G41 also features 2 flat face couplers, one male and one female to provide hydraulic flow to the various accessories that may require it (Fig. 4).

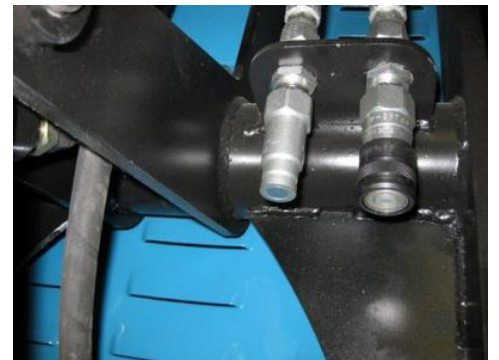


Fig.4

WARNING: RELIEVE TRAPPED PRESSURE IN THE HOSES BEFORE ATTEMPTING TO CONNECT FLAT FACE COUPLERS OR COUPLERS MAY FAIL.

To relieve pressure, turn engine off, set flow control lever (#6 in Fig. 3) to OFF and actuate accessory control lever (#5 in Fig. 3) forward and reverse to empty lines. Connect flat face couplers.

WORKING AREA

It is important that you first walk the area that you are going to work in with the G41.

- Look for loose or soft soil, wet, damp or muddy land, sandy or icy conditions are all potential hazards when operating a mini loader.
- Holes, drop-offs, ditches, slippery surfaces, culverts, unstable surfaces, hillsides, large rocks, trees are all causes for concern.
- Evaluate the situation before proceeding with the task at hand. Do not proceed if the hazards can not be corrected or avoided.
- Make sure to have the area marked for buried lines.
- Consult local utility service providers (gas, electric, cable, water, telephone) before any digging is performed.



OPERATING PRECAUTIONS

- Start by planning your work
- Inspect the G41, check for leaks, broken or loose parts, check oil levels (hydraulic and engine), check and refill fuel tank.
- Operate all controls smoothly and slowly and never stop abruptly, avoid brisk movements. This will make your work safer and more comfortable.
- Always keep a firm grip on the handle bar as the machine moves to keep from losing balance and injuring yourself.
- Always look in the direction you are going, turn and or reverse at a reduced speed. Do not make sharp turns at speed and try to come to a stop smoothly.
- Stop operating the machine if someone wanders to close.
- Never exceed the rated capacity on the G41 and or its attachments. Understand that different attachments will change the way the G41 acts and reacts.
- Travel with the bucket or attachment as close to the ground as possible, traveling with raised loader arms will make the machine unstable.
- Try to avoid working on slopes, but if necessary use extreme caution and travel at lower speeds.
- Do not travel across slopes.
- Do not park on slopes.
- If you have to work on a slope, travel straight up or down making sure the heavy end of the machine is always pointing up the slope.
- On an empty or unloaded machine the operator platform is the heavy end.
- On a loaded machine or with a heavy attachment, the front is the heavy end.
- Load, unload and turn on flat level ground. Do not travel or turn with loader arms up.
- Operate only from the operator's platform; always keep hands on handle bar and controls.
- Keep the bucket level when raising loader arms to prevent material or debris from falling from bucket.



START UP PROCEDURE

1. Walk around the machine to look for possible damage, leaks, loose parts, etc. If any are found, have the machine repaired immediately.
2. Check hydraulic and engine oil levels, check air filter and fill gasoline tank if necessary, check tire pressure and adjust. Grease all pivot points if necessary.
3. Make sure all control levers are in the neutral position, check them by pushing and pulling them to see if they come back to neutral on their own. Make sure the flow control lever is in the "OFF" position and that the accessory control lever is also in the "OFF" position.



Fig.5

4. To start the engine, stand on the operator's platform, put the choke lever to the left or "ON" position, put the throttle lever about half way and turn the ignition key, as soon as the engine starts, release the key. As soon as the engine is warm enough, put the choke lever to the right or "OFF" position. Allow the machine to idle for about 5 minutes to warm-up

NOTE; IN COLD WEATHER, IT WILL TAKE LONGER TO WARM UP. OPERATE ALL THE MAIN CONTROLS CAREFULLY TO CIRCULATE WARM OIL TO THE CYLINDERS AND WHEEL MOTORS.

SHUT DOWN PROCEDURE

1. Park the machine on flat level ground.
2. Lower the loader arms or set the attachment down.
3. Make sure all control levers are in the neutral position. Make sure the flow control lever is in the "OFF" position and that the accessory control lever is also in the "OFF" position. (Fig.3)
4. Lower the throttle to idle.
5. Shut off the engine.
6. Stand down from operator platform.



Fig.6



Fig.7



MOUNTING ATTACHMENTS

- Check and clean the attachment plate surfaces and place the lock pins in the unlocked position. (Fig. 8)
- Check that all controls are in their neutral or "OFF" position. (Fig. 3)
- Stand on the operator platform and start the engine.
- Drive up to the attachment and line up the attachment plate with the attachment's mating plate lip.
- Tilt the attachment plate back lifting the attachment off the ground just enough. Lift the loader arms is necessary.
- Turn the engine off. (Fig. 7)
- Place the lock pins in their locked position and make certain they are inserted all the way through the pin holes on the attachment. (Fig. 9)



Fig. 8 Unlocked position

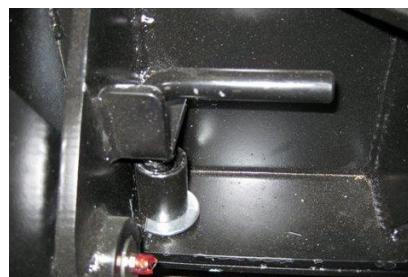


Fig. 9 Locked position

WARNING; DO NOT OPERATE THE MACHINE WITH AN ATTACHMENT THAT IS NOT PROPERLY SECURED BY THE LOCK PINS.

RELEASING ATTACHMENTS

- Drive the G41 to the area where the attachment will be released.
- Set the attachment close to the ground in a way that the lock pins can be turned to the unlocked position. (Fig. 8)
- Turn the engine off. (Fig. 7)
- Place the lock pins in their unlocked position. (Fig. 8)
- Start the engine.
- Lower the attachment to the ground and tilt the attachment plate forward to disengage from the attachment's mating plate lip.
- Reverse away from the attachment.

OPERATING THE STANDARD BUCKET

- Do not lift more than 500 lbs, (including bucket) or machine may become unstable and tip forward.
- When operating with a full bucket, travel forward and reverse with the bucket as close as possible to the ground, turn with caution.
- A full bucket will change the way the machine pivots when turning, moving the pivot position from the rear wheels to the front wheels.
- Move as close as possible to the dump area and stop before lifting to dump.
- Lift the loader arms slowly to have a feel for the balance of the machine. Dump the load as soon as possible

WARNING: NEVER TRAVEL OR TURN WITH A RAISED BUCKET



LOUVERS

- The G41 is equipped with louvers to protect the hydraulic components from falling debris.
- The machine can be used without the louvers on very hot days where prolonged use may generate a lot of heat.
- It is up to the operator to decide if the work being performed allows the machine to be used without these protective louvers.

WARNING: ALWAYS USE THE CYLINDER LOCK WHEN REMOVING OR INSTALLING THE LOUVERS

MAINTENANCE

WARNING; FUEL OR OIL LEAKS OR SPILLS CAN CREATE A FIRE OR EXPLOSION HAZARD.

MAINTENANCE CHART

	Daily 8 hours	Daily 20 hours	Weekly 50 hours	Monthly 200 hours	Annually 400 hours
Engine oil check	X				
Engine oil change		X*		X**	
Engine oil filter change		X*		X**	
Engine air filter check	X				
Engine air filter change				X**	
Engine fuel filter check			X		
Engine fuel filter change				X**	
Fuel	X				
Spark arrestor (muffler)			X		
Spark plugs check			X		
Spark plugs change					X
Battery/terminals			X		
Hydraulic oil level	X				
Hydraulic oil change					X
Hydraulic oil filter change		X*			X
Hydraulic hoses check	X				
Grease (lubrication)	X**				
Tire pressure	X				
Wheel lugs	X				
Loose or missing fasteners	X				
Clean and remove debris	X				

*Initial (new machine)

**Dusty or dirty conditions may require more frequent service.

DANGER ; ALWAYS USE THE CYLINDER LOCK IF MAINTENANCE IS REQUIRED UNDER THE LOADER ARMS AND OR YOU WANT TO LEAVE THE LOADER ARMS UP WITHOUT BEING ON THE OPERATOR PLATFORM



Fig.10



ENGINE OIL CHECK

Check engine oil level daily (see engine manual for detailed instructions)
Make sure machine is cold because muffler and hoses may be very hot (Fig. 11)



Fig.11

ENGINE OIL AND FILTER CHANGE

Change engine oil and filter after the initial 20 hours of operation and then every 200 hours of operation. (See engine manual for detailed instructions.)

ENGINE AIR FILTER

Check air filter daily and replace every 200 hours, in extremely dusty conditions service the air filter several times a day and replace as needed. (See engine manual for detailed instructions.)

FUEL FILTER

Check every 50 hours, replace every 200 hours. (See engine manual for detailed instructions.)

REFUELING

DANGER; GASOLINE IS EXTREMELY FLAMMABLE

Allow the machine to cool down before refuelling, never fill the tank completely, allow some space for fuel expansion. Wipe up any spills before engine is started (Fig. 12).

SPARK ARRESTOR (MUFFLER)

Inspect spark arrestor for carbon build-up, clean with a stiff wire brush. Replace if needed (Fig. 13).



Fig.13



Fig.12

WARNING; MAKE SURE EXHAUST SYSTEM IS COLD BEFORE SERVICING SPARK ARRESTOR.



BATTERY

CAUTION; WEAR THE PROPER PROTECTIVE CLOTHING WHEN HANDLING THE BATTERY. LEAKING BATTERY FLUID CONTAINS ACID THAT CAN CAUSE BURNS. FUMES FROM THE LEAKING FLUID CAN CAUSE RESPIRATORY PROBLEMS.

Check both of the battery cables for signs of damage or corrosion. Loosen the cable clamps and remove the cable from the battery. Clean the terminals with a battery brush. Reinstall and secure the cable clamps.

NOTE: To prevent corrosion, spray on a battery protectant and sealer onto both terminals and cable clamps. Check the battery hold down clamp to make sure that the battery is being held securely to the machine.

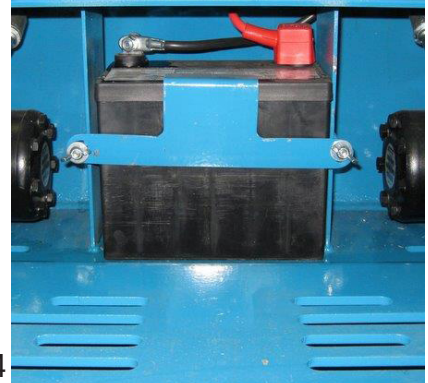


Fig.14

WARNING; ELECTRIC SHOCK may result in injury and/or damage to the unit. Do not allow tools or other objects to come into contact with both terminals at the same time.

ALWAYS remove the Negative (-) cable first to reduce the risk of sparks when removing the battery.

ALWAYS connect the Positive (+) cable first, then connect the Negative (-) cable.

WARNING: EXPLOSIVE GASSES can result in serious injury or death. ALWAYS keep open flames, sparks, or smoking materials away from battery.

POISONOUS BATTERY FLUID contains sulphuric acid and its contact with skin, eyes or clothing can cause severe chemical burns. ALWAYS wear safety glasses and protective gear near battery.

DO NOT TIP any battery beyond 45 deg. angle in any direction.

ALWAYS KEEP BATTERIES OUT OF REACH OF CHILDREN.

WARNING: REVERSE CONNECTIONS may result in sparks which may cause injury. ALWAYS connect/disconnect cables in the proper order.

WARNING: Battery posts, terminals and related accessories contain lead and lead compounds, chemicals known

to the State of Canada to cause cancer and reproductive harm. Wash hands after handling.

Battery Electrolyte First Aid (Battery fluid)

External contact: Flush with water.

Eyes: Flush with water for at least 15 minutes and get medical attention immediately.

Internal contact: Drink large quantities of water. Do not vomit. Get medical attention immediately.

WARNING; In case of internal contact do NOT induce vomiting.

Always keep the battery fully charged and clean. If the battery terminals are corroded, clean with a solution of water and baking soda.



HYDRAULIC OIL LEVEL

The hydraulic oil level can be checked visually by looking at the level sight glass window on the right hand side of the G41 in between both wheels. Oil level should be near the top of the level sight glass window, if no oil is visible, oil should be added. Make certain the machine is on flat level ground. If adding oil is necessary, proceed as follows:



Fig.15

- Start by parking the machine on flat level ground.
- Lift the loader arms and lower the cylinder lock onto the cylinder and lock with the pin.
- Stop engine.
- Remove the (louvered) covers to have access to the oil fill neck.
- Remove the filler breather cap.
- Add oil to the desired level.
- Reinstall filler breather cap and louvers.
- Remove the cylinder lock and lower the loader arms.

HYDRAULIC OIL CHANGE

Change oil and filter every 400 hours of operation or once a year.

- Start by parking the machine on flat level ground.
- Lift the loader arms and lower the cylinder lock onto the cylinder and lock with the pin.
- Stop engine.
- Remove the (louvered) covers to have access to the oil fill neck.
- Remove the filler breather cap.
- Place a drain pan under the drain plug on the right side of the G41 (Fig. 15), make sure the pan can hold 20 gallons of oil.
- Remove the drain plug and allow the oil to completely drain out.
- DISPOSE OF USED OIL AT A CERTIFIED RECYCLING CENTRE.
- Remove old hydraulic oil filter and reinstall a new hydraulic oil filter.
- Reinstall the drain plug, using pipe thread sealant.
- Fill the tank with AW32 hydraulic oil. AW46 may be used in very cold conditions.
- Reinstall the filler breather cap.
- Start the G41 and run the hydraulics to fill the system.
- Stop the engine.
- Check oil level by looking at the level sight glass window, oil level should be near the top of the level sight glass window.
- Add oil if necessary.
- Reinstall the louvered covers.
- Remove the cylinder lock and lower the loader arms.



CHECK HYDRAULIC HOSES

WARNING; HYDRAULIC OIL UNDER PRESSURE CAN PENETRATE THE SKIN AND CAUSE SEVERE BURNS THAT MAY RESULT IN DEATH OR SERIOUS INJURY.

WARNING; KEEP BODY AND HANDS AWAY FROM LEAKS, PIN HOLES OR NOZZLES WHICH MAY EJECT HYDRAULIC OIL UNDER PRESSURE.

ALWAYS USE PAPER OR CARDBOARD AND NOT HANDS OR FINGERS TO SEARCH FOR LEAKS.

Inspect and know that all hydraulic connections and hydraulic hoses are in good condition before applying pressure to them.

FOREIGN FLUIDS INJECTED INTO SKIN MUST BE REMOVED IMMEDIATELY BY A DOCTOR FAMILIAR WITH THIS FORM OF INJURY. SEEK IMMEDIATE MEDICAL ATTENTION IF AN ACCIDENT OCCURS.

Replace any hydraulic hose that shows signs of wear, fatigue, cracking, blistering etc. before using the G41.

Make sure engine is off, machine is cold, and pressure has been relieved from system by moving hydraulic controls in all directions before attempting to remove a hose. Hydraulic hoses should be replaced as wear dictates.



GREASE(LUBRICATION)

- Grease all pivot points daily and immediately after washing, use good general purpose grease.
- Grease the pivot pins on the top of the loader lift arms. (Fig. 16)
- Grease the pivot pins on the bottom of the loader lift arms. (Fig. 17)
- Grease the pivot pins on the lift cylinder. (Fig. 18 and Fig. 19)
- Grease the pivot pins on the tilt cylinder. (Fig. 20 and Fig. 21)



Fig.16

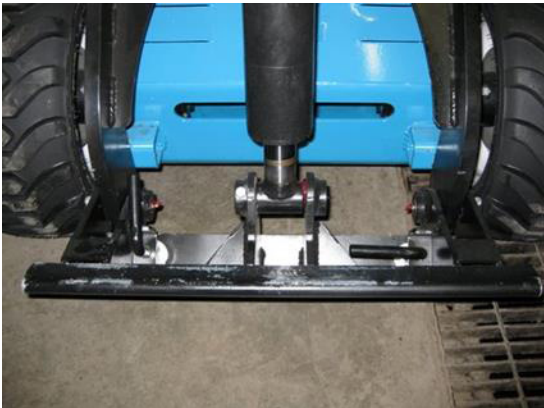


Fig.17



Fig.18



Fig.19



Fig.20



Fig.21



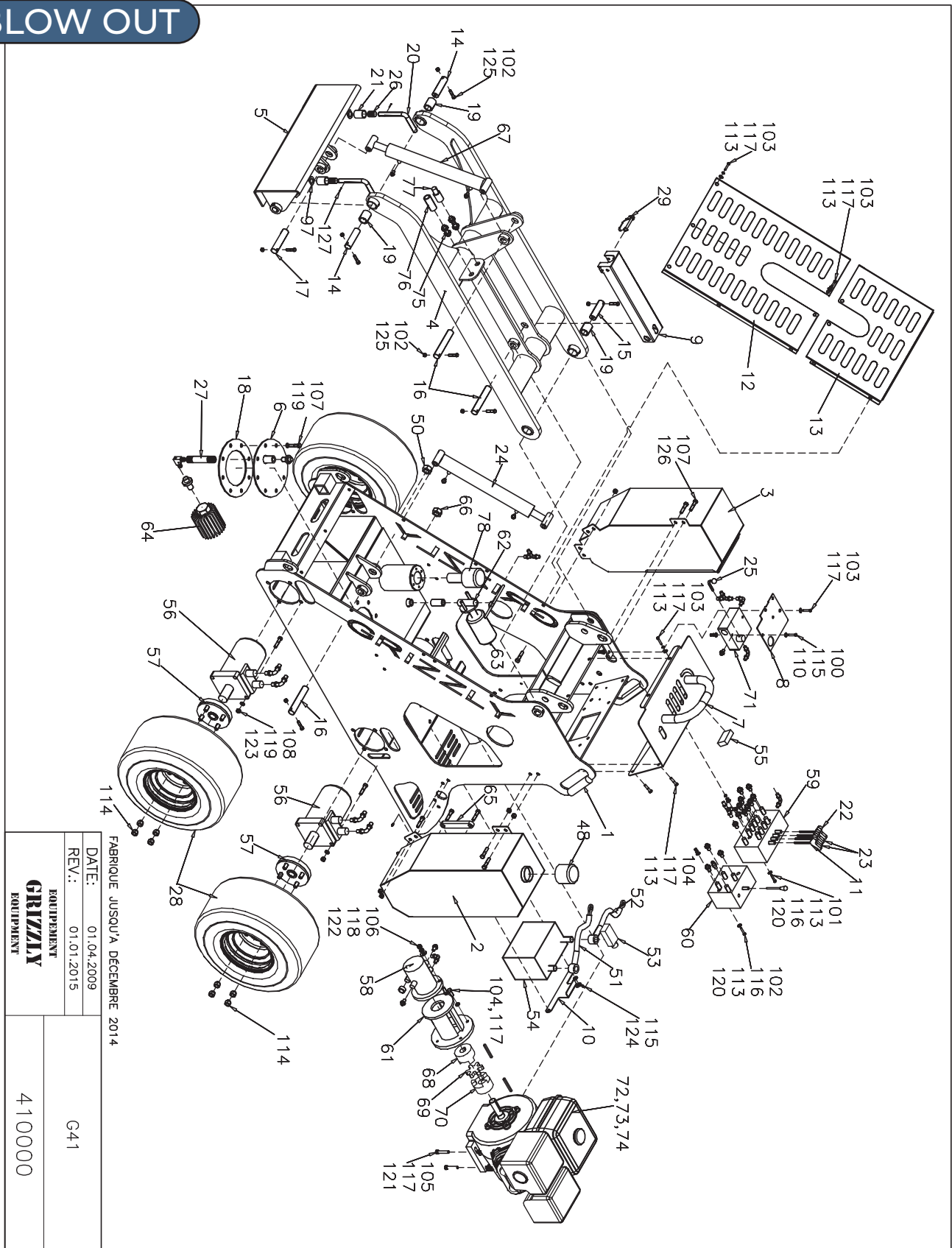
TIRE PRESSURE

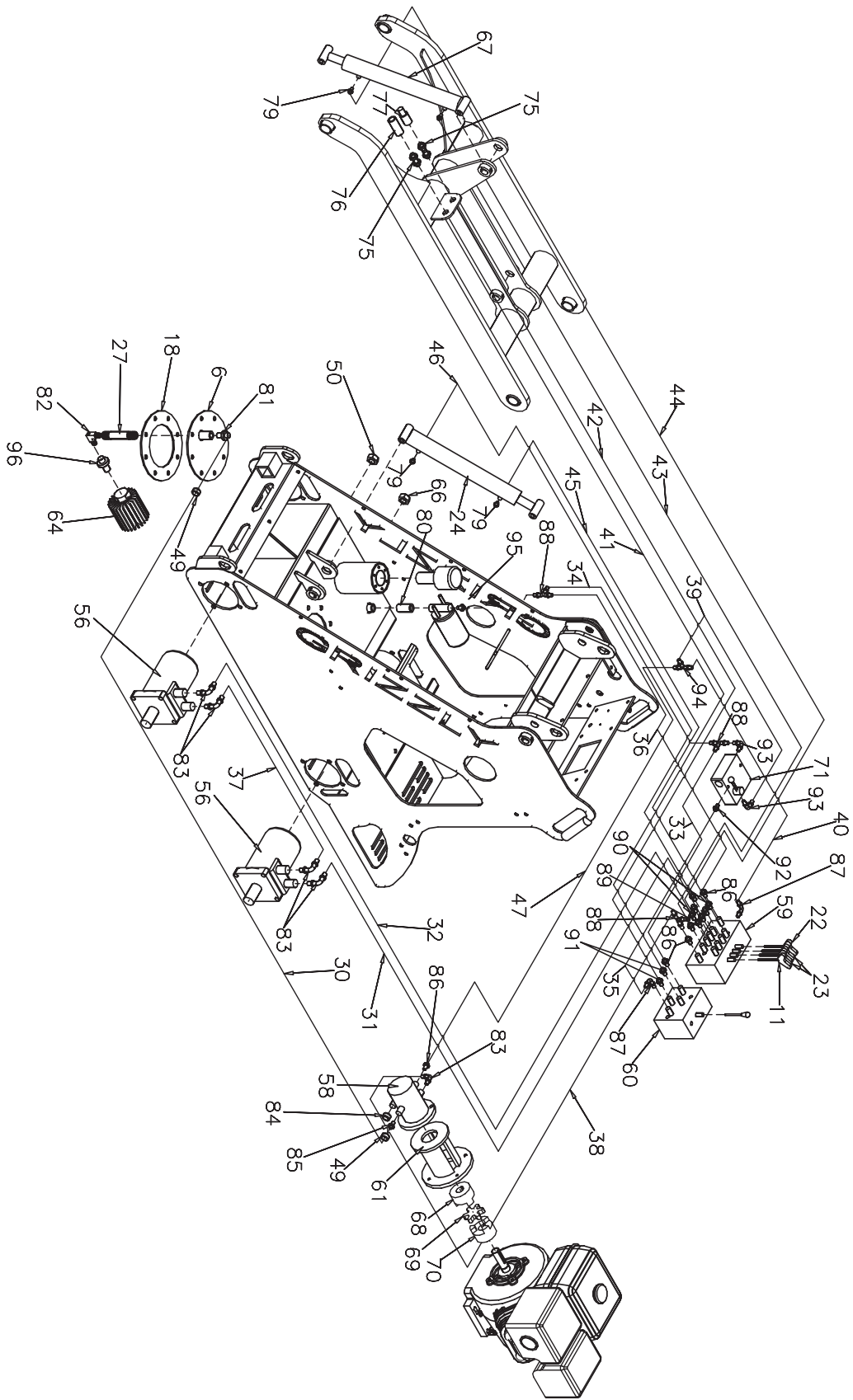
Check tire pressure daily. On standard wheels, pressure is 22 PSI

ALWAYS CHECK THE TIRE SIDEWALL TO CONFIRM APPROPRIATE PRESSURE.



BLOW OUT





FABRIQUE JUSQU'A DECEMBRE 2014

DATE:	01.04.2009	G41
REV.:	01.01.2015	
EQUIPEMENT GRIZZLY EQUIPEMENT		410000



ITEM	NR.	QTE.	DESCRIPTION	ITEM	NR.	QTE.	DESCRIPTION
1	410001	1	CHASSIS	62	946290	1	TETE DE FILTRE
2	410002	1	RESERVOIR A ESSENCE	63	946291	1	FILTRE 10 MICRON
3	410003	1	COFFRE	64	946303	1	TAMIS
4	410004	1	BRAS	65	946321	1	JAUGE DE NIVEAU D'ESSENCE
5	410005	1	PLAQUE D'ATTACHE UNIVERSELLE	66	946323	1	LUNETTE DE NIVEAU
6	410006	1	COUVERT DE RESERVOIR HYDRAULIQUE	67	946342	1	CYLINDRE D'INCLINAISON
7	410007	1	TABEAU DE BORD	68	946360	1	ACCOUPLLEMENT
8	410008	1	PLAQUE DE REGULATEUR DE DEBIT	69	946361	1	RACCORD
9	410009	1	BARRURE DE CYLINDRE	70	946364	1	ACCOUPLLEMENT
10	410010	1	ATTACHE BATTERIE	71	946382	1	REGULATEUR DE DEBIT
11	410011	1	LEVIER DE BASCULAGE	72	951640	1	MOTEUR KOHLER
12	410012	1	COUVERT INFERIEURE	73	951800	1	SILENCIEUX
13	410013	1	COUVERT SUPERIEURE	74	951801	1	PARE-ÉTINCELLES
14	410014	2	GOUPILLE	75	948872	2	ADAPTATEUR
15	410015	2	GOUPILLE	76	948870	1	ACCOUPLLEMENT RAPIDE-FEMELLE
16	410016	3	GOUPILLE	77	948871	1	ACCOUPLLEMENT RAPIDE-MALE
17	410017	1	GOUPILLE	78	946300	1	BOUCHON DE REMPLISSAGE
18	410018	1	GARNITURE DE RESERVOIR	79	947365	4	ADAPTATEUR
19	410019	4	COUSSINET	80	948011	1	ADAPTATEUR
20	410020	2	BARRURE DE PLAQUE D'ATTACHE	81	947372	1	ADAPTATEUR
21	410021	2	ECARTEUR	82	947918	1	COUDE
22	410022	1	LEVIER DE LEVAGE	83	947841	9	COUDE
23	410023	2	LEVIER DE TRACTION	84	948036	1	BUCHON
24	410024	1	CYLINDRE DE LEVAGE	85	947753	1	ADAPTATEUR
25	410025	1	LEVIER DE DEBIT	86	947744	4	ADAPTATEUR
26	410026	2	RESSORT	87	947837	2	COUDE
27	930733	1	TUYAU DE SUCCION	88	947967	3	"T"
28	935024	4	ROUE TRAC CHIEF	89	948340	1	BUCHON
29	940161	1	GOUPILLE A RESSORT	90	947739	8	ADAPTATEUR
30	410030	1	BOYAU	91	947743	2	ADAPTATEUR
31	410031	2	BOYAU	92	947366	1	ADAPTATEUR
32	410032	2	BOYAU	93	947466	2	COUDE
33	410033	1	BOYAU	94	947627	1	"T"
34	410034	1	BOYAU	95	947370	1	ADAPTATEUR
35	410035	1	BOYAU	96	947991	1	ADAPTATEUR
36	410036	1	BOYAU	97	410027	2	RONDELLE
37	410037	2	BOYAU	100	910057	2	BOULON HEX.
38	410038	1	BOYAU	101	910105	4	BOULON HEX.
39	410039	1	BOYAU	102	910108	12	BOULON HEX.
40	410040	1	BOYAU	103	910152	5	BOULON HEX.
41	410041	1	BOYAU	104	910153	8	BOULON HEX.
42	410042	1	BOYAU	105	910155	4	BOULON HEX.
43	410043	1	BOYAU	106	910204	2	BOULON HEX.
44	410044	1	BOYAU	107	910253	20	BOULON HEX.
45	410045	1	BOYAU	108	910258	16	BOULON HEX.
46	410046	1	BOYAU	109	910600	2	VIS TETE RONDE
47	410047	1	BOYAU	110	931003	2	ECROU HEX.
48	946305	1	BOUCHON DE RESERVOIR	111	912003	13	RONDELLE
49	940409	2	COLLIER DE SERRAGE	112	912001	2	RONDELLE
50	947999	1	BOUCHON DE VIDANGE DE RESERVOIR	113	912002	19	RONDELLE
51	942840	1	CABLE NOIR	114	915301	20	ECROU DE ROUE
52	942843	1	CABLE ROUGE	115	912501	2	RONDELLE RESSORT
53	942842	1	COUVERT DE BORNE	116	912502	6	RONDELLE RESSORT
54	942851	1	BATTERIE	117	912503	17	RONDELLE RESSORT
55	942860	1	COMPTEUR D'HEURES	118	912504	2	RONDELLE RESSORT
56	944001	4	MOTEUR ROUE HYD.	119	912505	24	RONDELLE RESSORT
57	944011	4	MOYEU DE ROUE	120	913005	6	ECROU HEX.
58	946244	1	POMPE HYDRAULIQUE	121	913007	4	ECROU HEX.
59	946264	1	VALVE PRINCIPALE	122	913009	2	ECROU HEX.
60	946265	1	VALVE AUXILIARE	123	913011	16	ECROU HEX.
61	946281	1	ADAPTATEUR	124	913403	2	ECROU PAPILLON
				125	913505	10	ECROU AUTOBLOCANT
				126	913511	2	ECROU AUTOBLOCANT
				127	914703	2	GOUPILLE FENDUE

FABRIQUE JUSQU'A DÉCEMBRE 2014

DATE:	01.04.2009	G41
REV.:	01.01.2015	
EQUIPEMENT GRIZZLY EQUIPEMENT		410000

