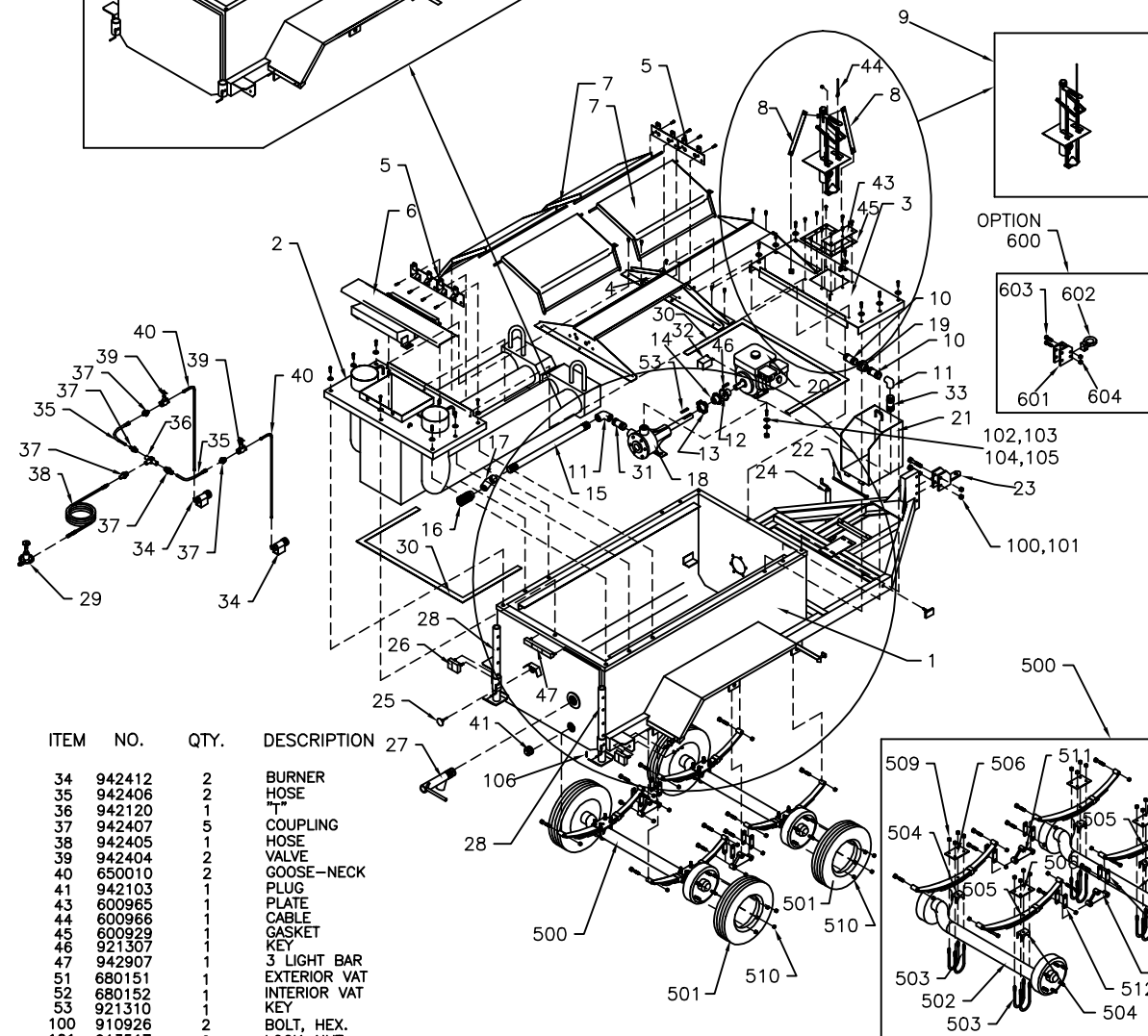
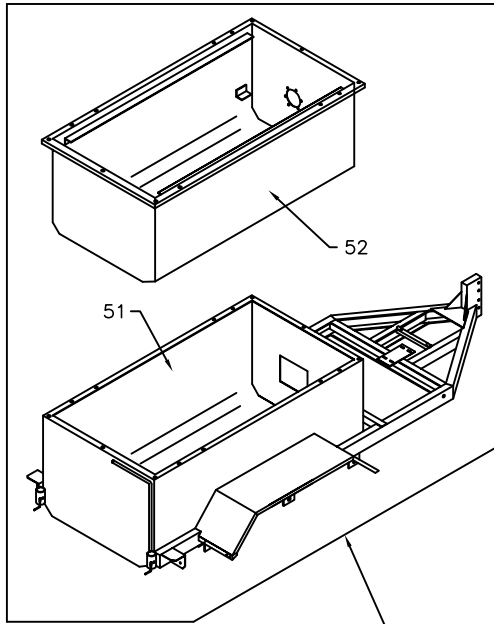


ITEM NO. QTY. DESCRIPTION

1	680101	1	FRAME
2	680102	1	HEATING UNIT
3	680103	1	COVER
4	680104	1	COVER
5	680105	2	LID SUPPORT
6	650006	1	COVER
7	600930	4	LID
8	600933	3	FLAT BAR
9	600901	1	SAFETY FLOW VALVE ASSY.
10	942002	2	NIPPLE
11	942085	2	ELBOW
12	940123	1	COUPLING
13	940125	1	CHAIN
14	940124	1	COUPLING
15	600983	1	PIPE
16	600924	1	STRAINER
17	942065	1	ELBOW
18	942302	1	PUMP
19	942042	1	UNION
20	950270	1	ENGINE
21	600936	1	COVER
22	600937	1	ROD
23	600908	1	HITCH
24	942920	1	JACK
25	942501	1	THERMOMETER
26	942900	1	LIGHT ASSY.
27	601201	1	DRAINCOCK
28	600916	2	LEG
29	942400	1	REGULATOR
30	941021	2	GASKET
31	942007	1	NIPPLE
32	601016	1	COVER
33	942004	1	NIPPLE



ITEM	NO.	QTY.	DESCRIPTION
34	942412	2	BURNER
35	942406	2	HOSE
36	942120	1	"T"
37	942407	5	COUPLING
38	942405	1	HOSE
39	942404	2	VALVE
40	650010	2	GOOSE-NECK
41	942103	1	PLUG
43	600965	1	PLATE
44	600966	1	CABLE
45	600929	1	GASKET
46	921307	1	KEY
47	942907	1	3 LIGHT BAR
51	680151	1	EXTERIOR VAT
52	680152	1	INTERIOR VAT
53	921310	1	KEY
100	910926	2	BOLT, HEX.
101	913517	2	LOCK-NUT
102	910160	2	BOLT, HEX.
103	912002	8	WASHER
104	912503	4	LOCK-WASHER
105	913007	4	NUTS, HEX.
106	914905	3	HITCH PIN
500	942207	1	AXLE
501	935047	4	WHEEL
510	942260	20	NUTS,HEX.
600	600949	1	OPTION
601	600940	1	HITCH BRACKET
602	942925	1	PINTAL EYE
603	910916	2	BOLT, HEX.
604	913515	2	LOCK-NUT

MADE FROM JUNE 2009

DATE:	06.01.2009	800 GAL. KETTLE
REV.:	04.06.2017	
EQUIPMENT GRIZZLY EQUIPMENT		680000A