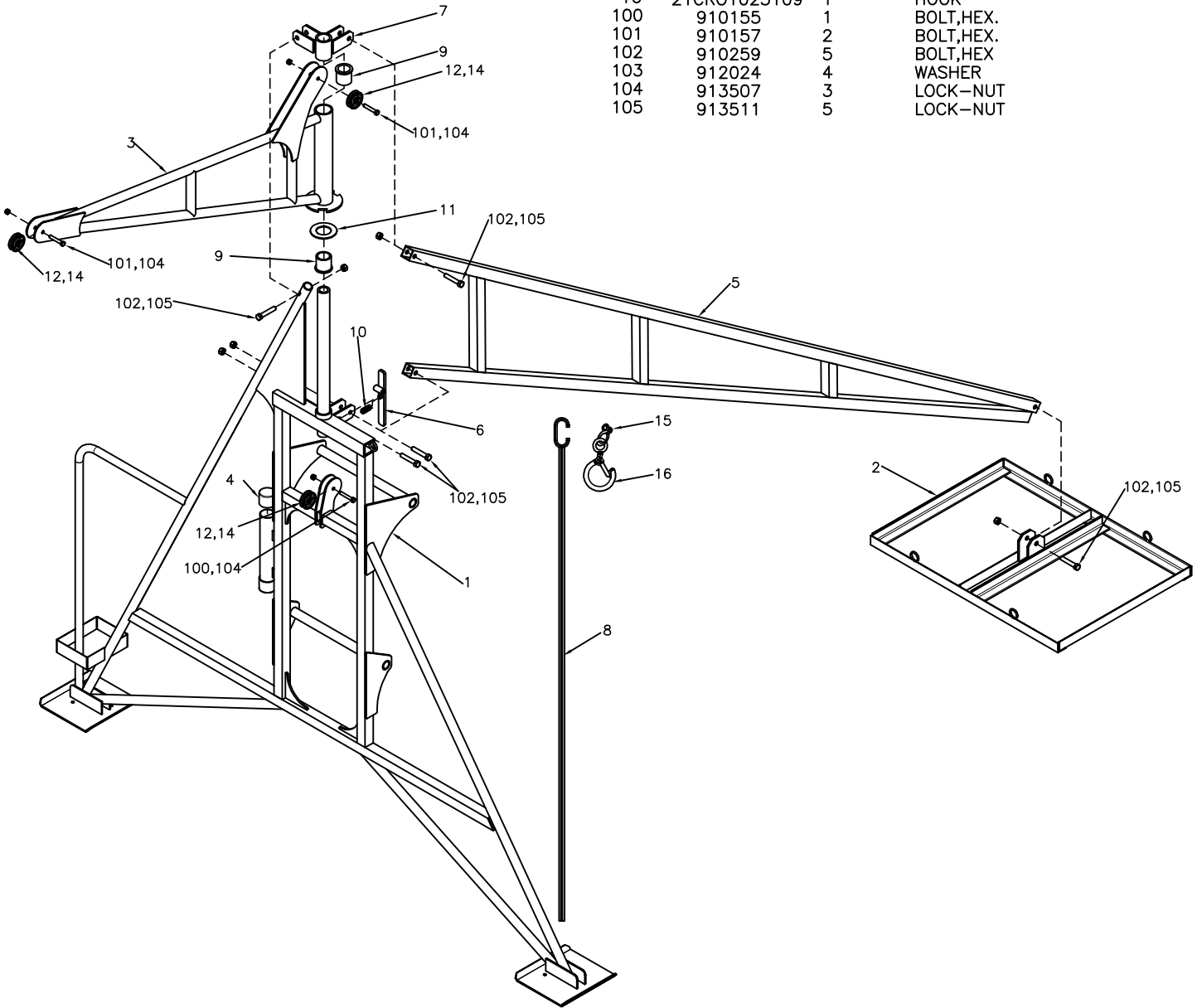


ITEM	NO.	QTY.	DESCRIPTION
1	532001	1	MAIN SUPPORT
2	531002	1	COUNTERWEIGHT BASE
3	532003	1	BOOM
4	940009	2	PLASTIC CAP
5	532005	1	REAR LEG
6	532006	1	STOP LATCH
7	532007	1	BRACE
8	532008	1	CABLE HOOK
9	923505	2	BUSHING
10	937021	1	SPRING
11	531011	1	WASHER
12	511042	3	SHEAVE
14	923082	3	INNER RACE
15	915054	1	SHACKLE
16	21CRO1023109	1	HOOK
100	910155	1	BOLT,HEX.
101	910157	2	BOLT,HEX.
102	910259	5	BOLT,HEX
103	912024	4	WASHER
104	913507	3	LOCK-NUT
105	913511	5	LOCK-NUT



DATE:	05.01.2011	250LBS/400LBS SWING HOIST
REV.:	02.01.2016	
<b>EQUIPMENT GRIZZLY EQUIPMENT</b>		532000