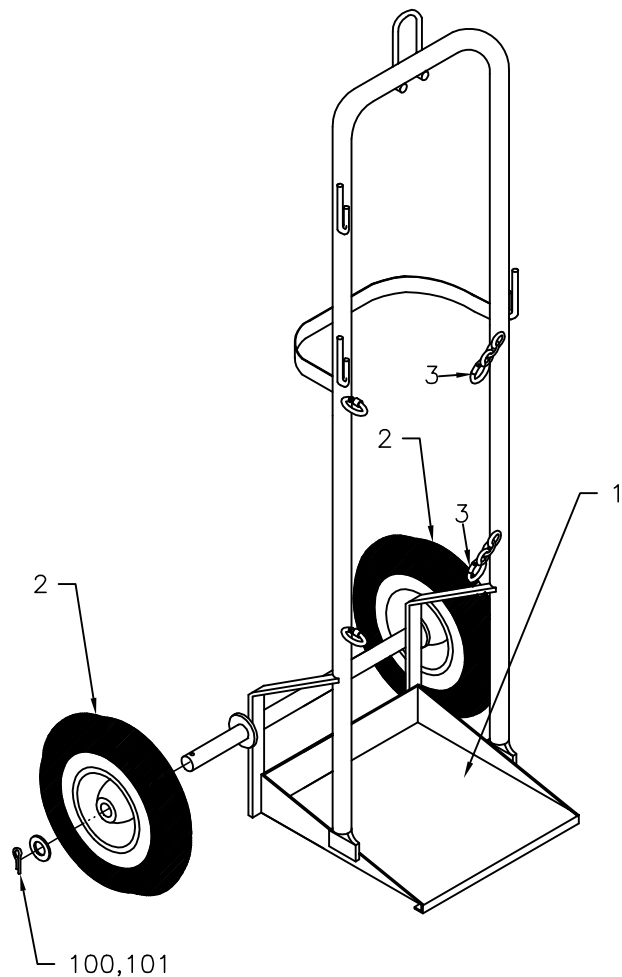


ITEM	NO.	QTY.	DESCRIPTION
1	221001	1	FRAME
2	935010	2	WHEEL
3	935051	1	SWIVEL WHEEL
4	915062	2	CARABINER
100	914703	2	COTTER PIN
101	912023	2	WASHER
102	910152	4	BOLT
103	912002	4	WASHER
104	912502	4	LOCK-WASHER
105	913005	4	NUT

DATE: 12.10.1997	VOYAGER 2
REV.: 10.01.2016	
<b>EQUIPMENT GRIZZLY EQUIPMENT</b>	221000



ITEM	NO.	QTY.	DESCRIPTION
1	220001	1	FRAME
2	935010	2	WHEEL
3	915062	2	CARABINER
100	914703	2	COTTER PIN
101	912023	2	WASHER

DATE: 12.10.1997	VOYAGER 1
REV.: 10.01.2016	
<b>EQUIPMENT GRIZZLY EQUIPMENT</b>	220000