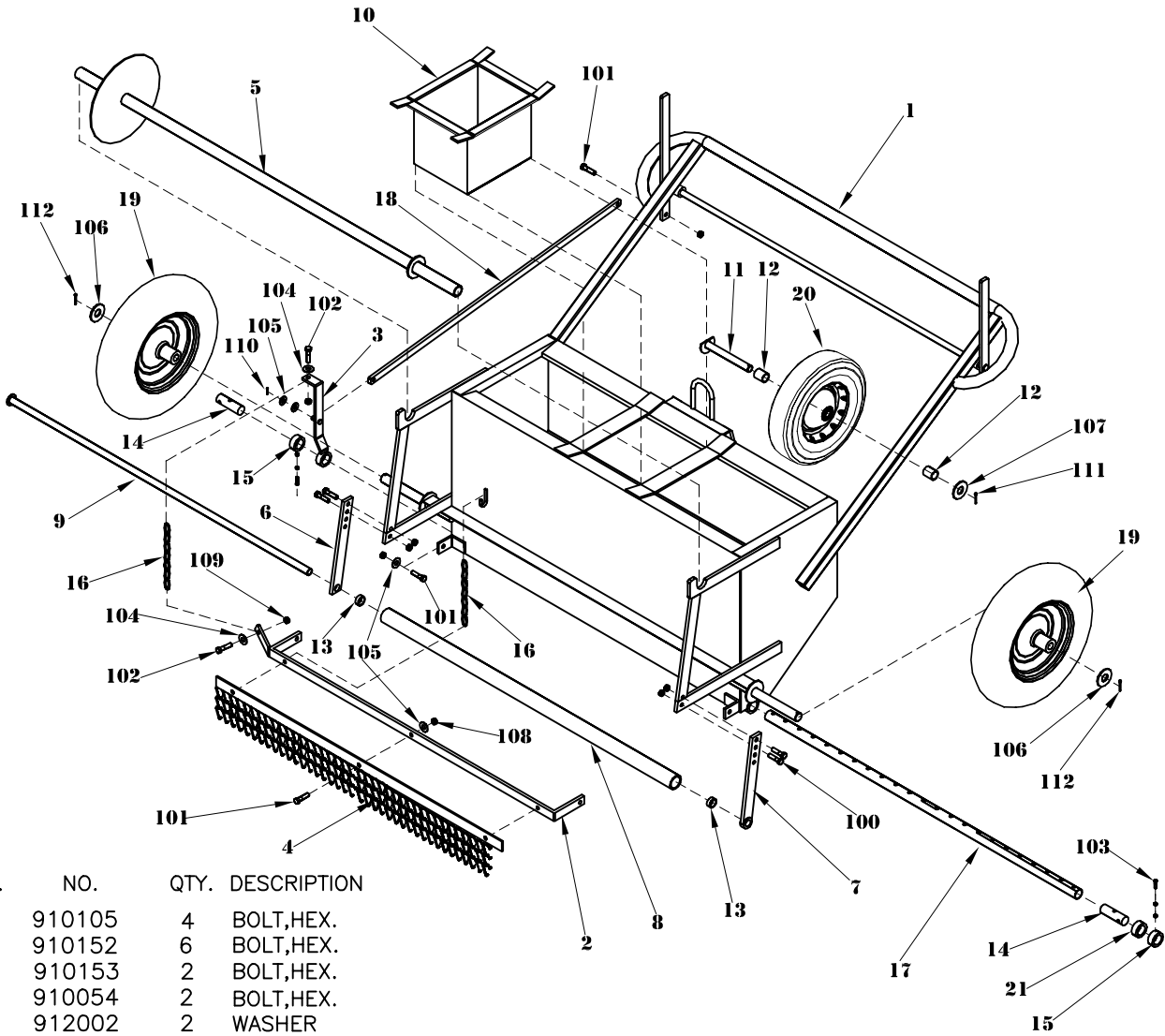


ITEM.	NO.	QTY.	DESCRIPTION
1	160001	1	FRAME
2	160002	1	CHAIN SUPPORT
3	160003	1	ARM
4	160004	1	CHAIN
5	160005	1	ROLL SUPPORT
6	160006	1	ADJUSTMENT ARM
7	160007	1	ADJUSTMENT ARM
8	160008	1	ROLLER
9	160009	1	ROLLER PIN
10	160010	1	STRAINER
11	160011	1	SHAFT
12	160012	2	SPACER
13	160013	2	SPACER
14	160014	2	STOPPER
15	160015	2	SET COLLAR, SPLIT
16	160016	2	CHAIN
17	160017	1	PERFORATED PIPE
18	160018	1	ROD
19	935010	2	WHEEL
20	935007	1	WHEEL
21	923343	1	SET COLLAR



ITEM.	NO.	QTY.	DESCRIPTION
100	910105	4	BOLT,HEX.
101	910152	6	BOLT,HEX.
102	910153	2	BOLT,HEX.
103	910054	2	BOLT,HEX.
104	912002	2	WASHER
105	912003	5	WASHER
106	912021	2	WASHER
107	912023	1	WASHER
108	913505	6	LOCK-NUT
109	913005	2	NUT,HEX.
110	913003	4	NUT,HEX.
111	914703	1	COTTER PIN
112	914755	2	COTTER PIN

DATE:	08.13.2001	METRIC FELT LAYER
REV.:	01.01.2005	
<b>EQUIPEMENT GRIZZLY EQUIPEMENT</b>		160000