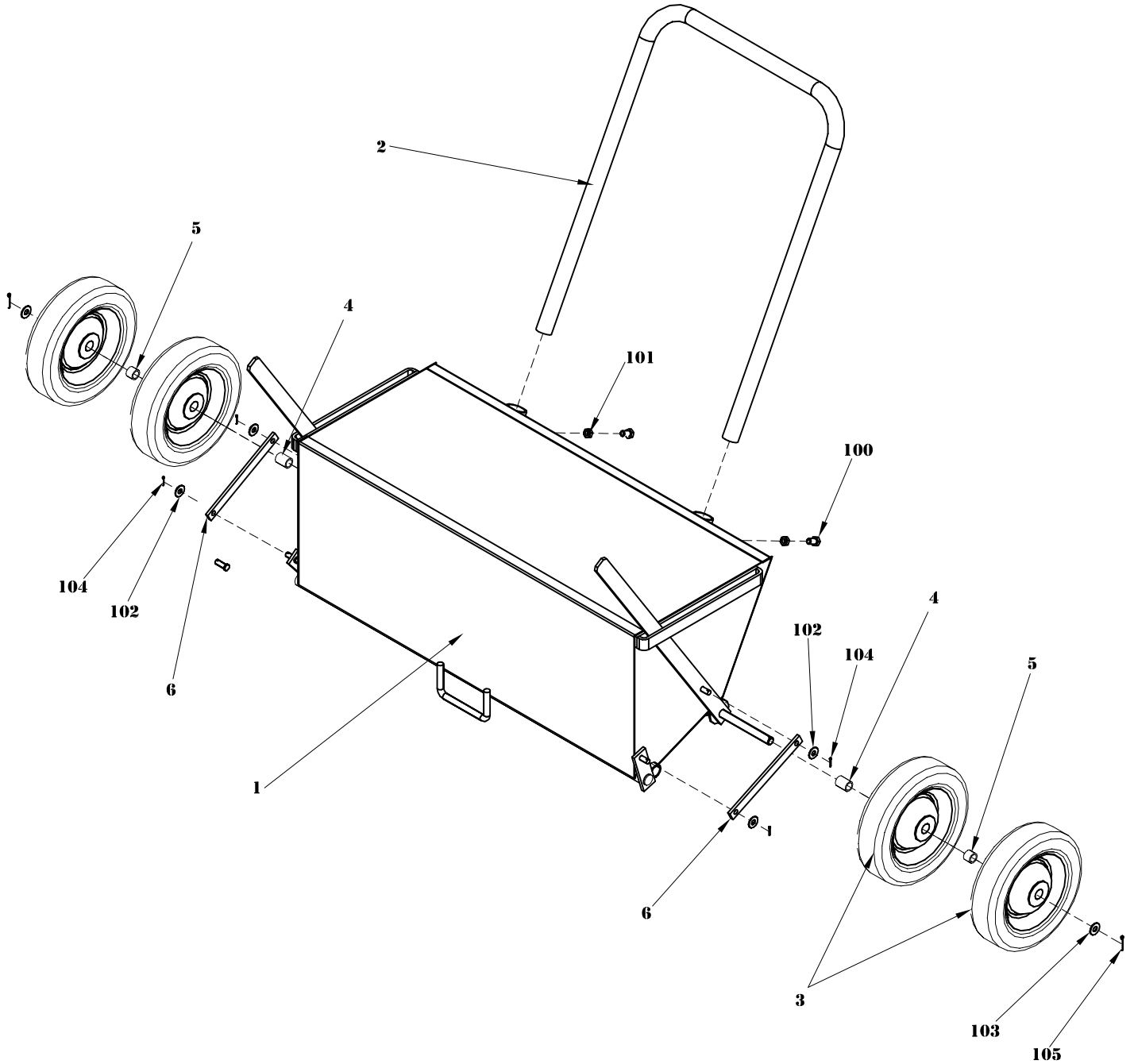


ITEM.	NO.	QTY.	DESCRIPTION
1	150001	1	FRAME
2	105002	1	HANDLE
3	150003	1	LINK
4	150004	2	SPACER
5	150005	2	SPACER
6	150006	1	LINK
7	935003	4	WHEEL
100	910205	2	HEX,BOLT
101	913009	2	HEX,NUT
102	912003	4	WASHER
103	912022	2	WASHER
104	914702	4	COTTER PIN
105	914703	2	COTTER PIN



DATE:	04.01.2002	ADHESIVE DISPENSER
REV.:	01.01.2005	
EQUIPEMENT GRIZZLY EQUIPEMENT		150000