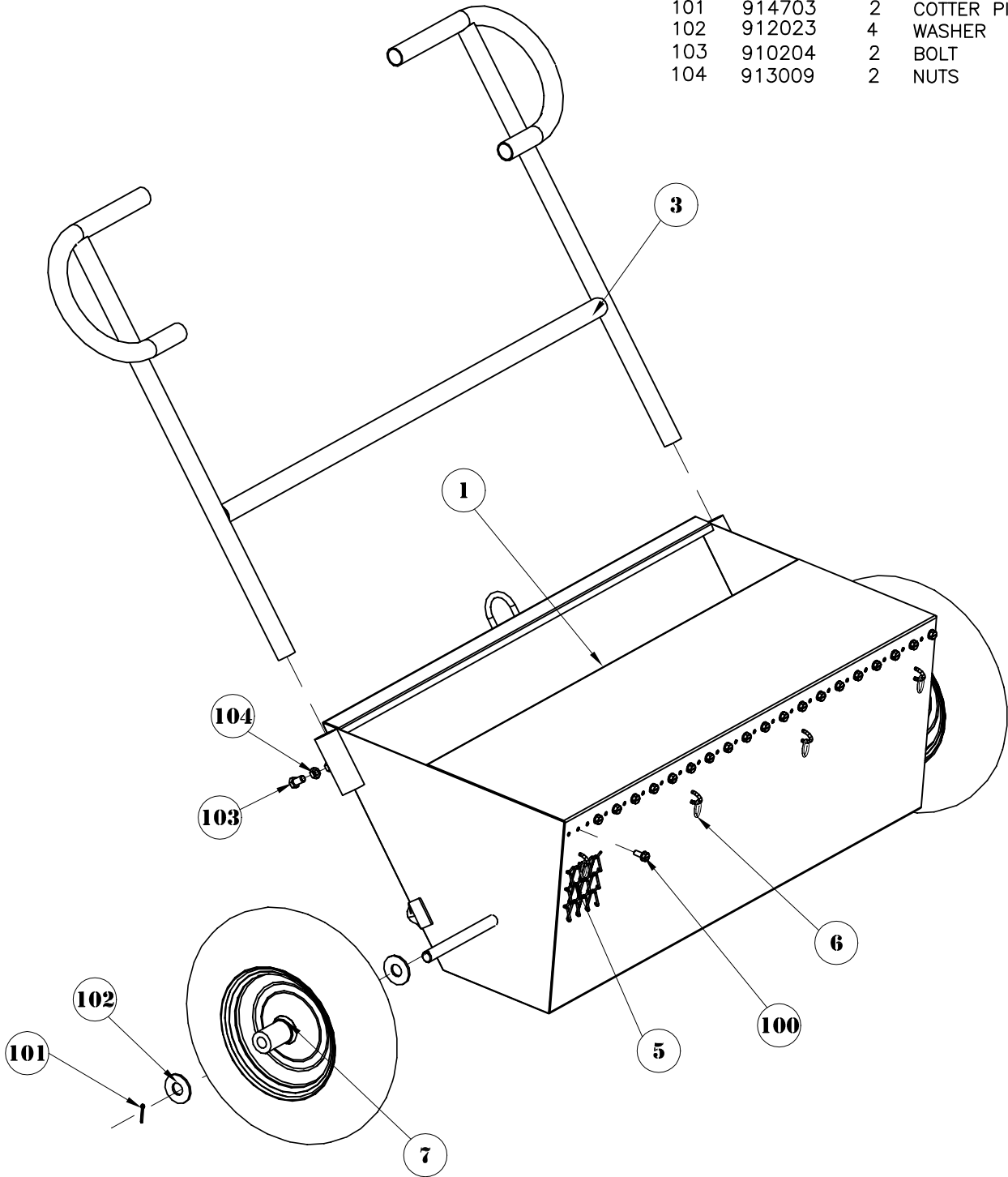


| ITEM. | NO.    | QTY. | DESCRIPTION       |
|-------|--------|------|-------------------|
| 1     | 102001 | 1    | FRAME             |
| 3     | 102003 | 1    | HANDLEBAR         |
| 5     | 102005 | 1    | MOPPING MESH      |
| 6     | 101006 | 4    | CHAIN,HOOK        |
| 7     | 935010 | 2    | WHEEL             |
| 100   | 910677 | 18   | FLOW ADJUST,SCREW |
| 101   | 914703 | 2    | COTTER PIN        |
| 102   | 912023 | 4    | WASHER            |
| 103   | 910204 | 2    | BOLT              |
| 104   | 913009 | 2    | NUTS              |



|                                              |            |                 |
|----------------------------------------------|------------|-----------------|
| DATE:                                        | 14.11.2000 | MINI MOPPER-36" |
| <b>EQUIPEMENT<br/>GRIZZLY<br/>EQUIPEMENT</b> |            |                 |
|                                              |            | 102000          |