

HERCULES

MOBILE ANCHORING SYSTEM
861 000

EQUIPMENT
GRIZZLY
EQUIPMENT

HERCULES MOBILE
ANCHORING SYSTEM



THE
PROFESSIONAL'S
CHOICE

GRIZZLY™

OVERVIEW

In response to the need for a safe, convenient and fast alternative to permanent fall arrest systems, Grizzly™ introduces the HERCULES, a Mobile Anchoring System for protection against height falls, designed for flat roofs and similar structures, that maximizes productivity, safety and ease of use through innovative design and advanced features.

READY TO USE

HERCULES is ready to use immediately when placed on the roof. The system can be easily installed and removed, since no assembly or counterweights are required compared to other systems in the market. Easily moved and set up by one person, this fall arrest system becomes stationary by simply raising the wheels. Moreover, the handle serves as a brake and the wheels can be removed, allowing the users to safely leave the HERCULES on a building that requires frequent maintenance.

DESIGNED TO CSA STANDARDS

The HERCULES mobile anchoring system is designed to meet or exceed the requirements of CSA Z259.16-04 – *Design of active fall protection systems*.



Secure the HERCULES
Raising the wheels with the built-in jacks automatically immobilize the system.



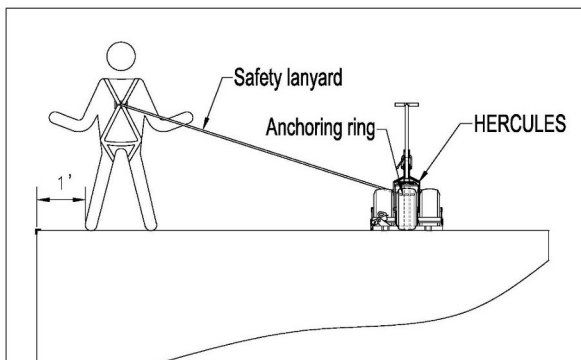
Angle indicator
Know at all times that you are in the safe working zone.

NUMBER OF SIMULTANEOUS USERS ALLOWED

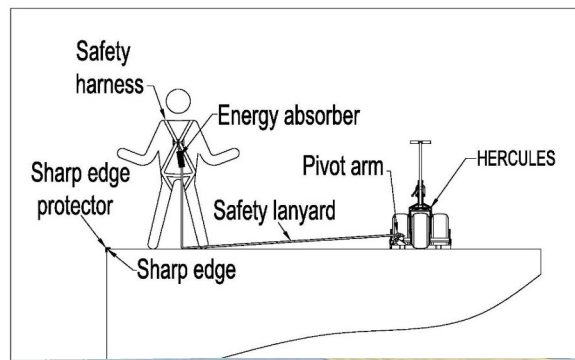
Model	Travel restraint mode	Fall arrest mode
HERCULES 861 000	4 (one per anchoring ring)	2 (one per pivot arm)

The HERCULES is suitable for roofers, tinsmiths, electricians, air conditioning or heating specialists and for all workers whose duties require them to work on a roof.

TRAVEL RESTRAINT MODE

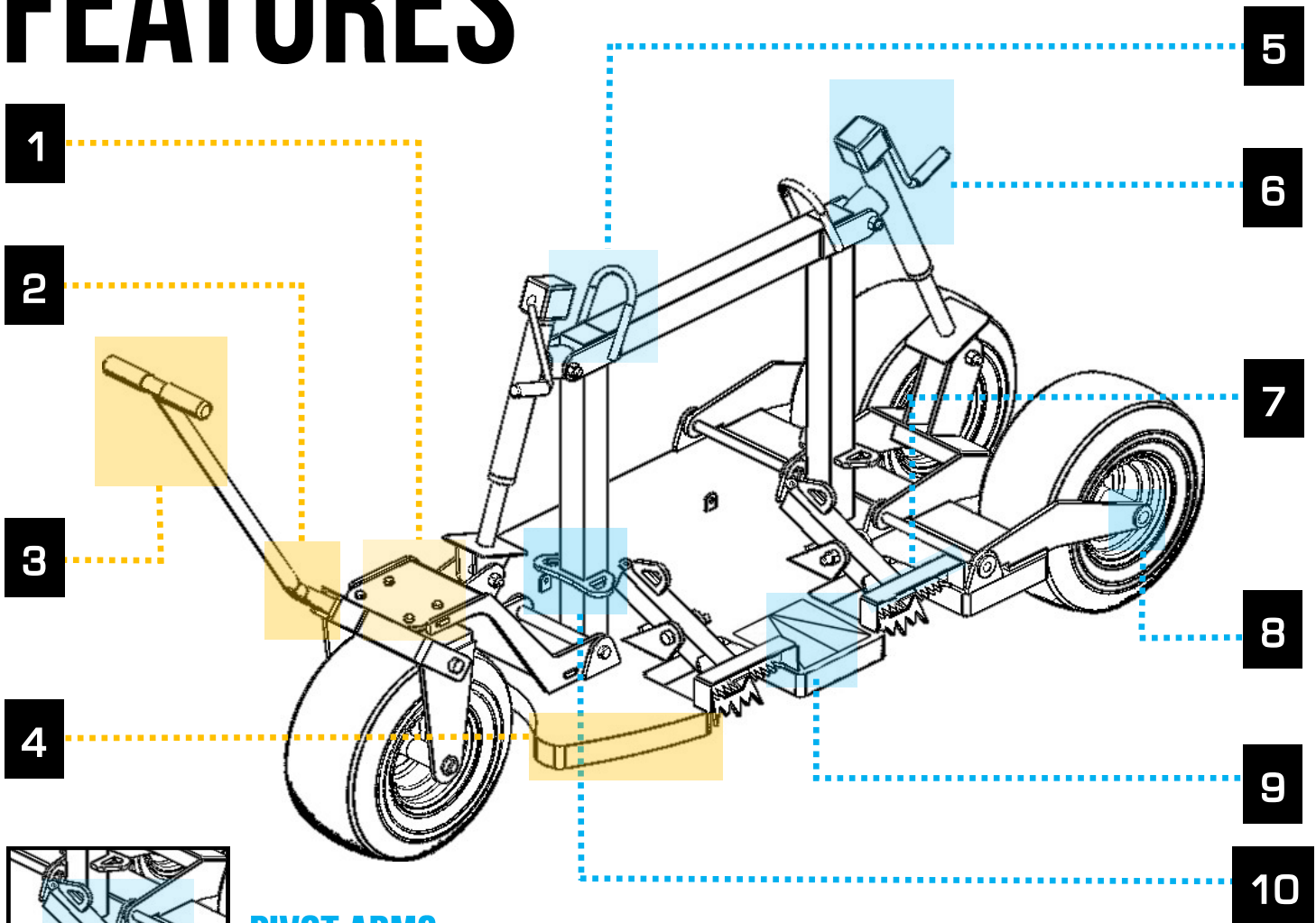


FALL ARREST MODE



HERCULES

FEATURES



PIVOT ARMS

In fall arrest mode, the user must anchor his safety lanyard to one of the yellow pivot arms. The close proximity of the teeth and the roof deck will allow immediate engagement in case of a fall.

1 MAINTENANCE-FREE BEARING

Extra heavy duty maintenance-free bearing for effortless maneuvering.

2 BRAKE

The handle serves as an operator activated brake to safely manoeuvre the machine.

3 T-HANDLE

Provides comfortable control and less effort pushing or pulling the HERCULES.

4 WEIGHT IS IN THE PLATE

Super low center of gravity. The heavy plate is designed to press on the teeth in case of a fall.

5 LIFTING RINGS

Located on top on the chassis are two rings to be used with slings and lifting hooks.

6 BUILT-IN JACKS

Once the wheels are off the ground using the built-in jacks at each end of the machine, the system is ready to be used.

7 TOOTH GUARDS

Protect safety lanyards against wear.

8 QUICK RELEASE PINS

Allow to remove wheels if the HERCULES is to be left on the roof.

9 ANGLE INDICATOR

The angle indicator allows the user to remain in the safe working zone.

10 TRAVEL RESTRAINT ANCHORING RINGS

In travel restraint mode, the user must anchor his safety lanyard to one of the blue rings.

HERCULES

MOBILE ANCHORING SYSTEM
861 000

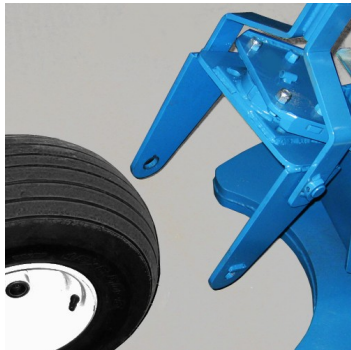
SPECIFICATIONS

Dimensions:

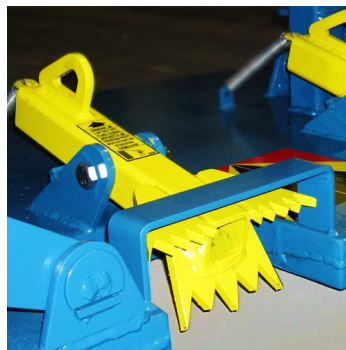
Length	82" (with the handle down) 120" (with the handle up)
Width	31"
Height	35" (with the wheels up) 43" (with the wheels down)
Weight	1000 lbs.
Tires	18 x 8.50 x 8, 4 ply rating, 815 lbs. capacity each
Size of Platform	46 x 31"
Ground Clearance	0" to 7.5"
Fall Arrest Capacity	2 workers
Travel Restraint Capacity	4 workers

Designed to be CSA Z259.16-04 compliant

SOME GREAT FEATURES OF THE **HERCULES** :



Removable wheels



Pivot arms



Travel restraint anchoring rings



GRIZZLY EQUIPMENT
(514) 325-1260 • 1-888-325-9953

www.grizzlyequip.com

Made in Canada



The manufacturer reserves the right to change specifications and designs without notice.