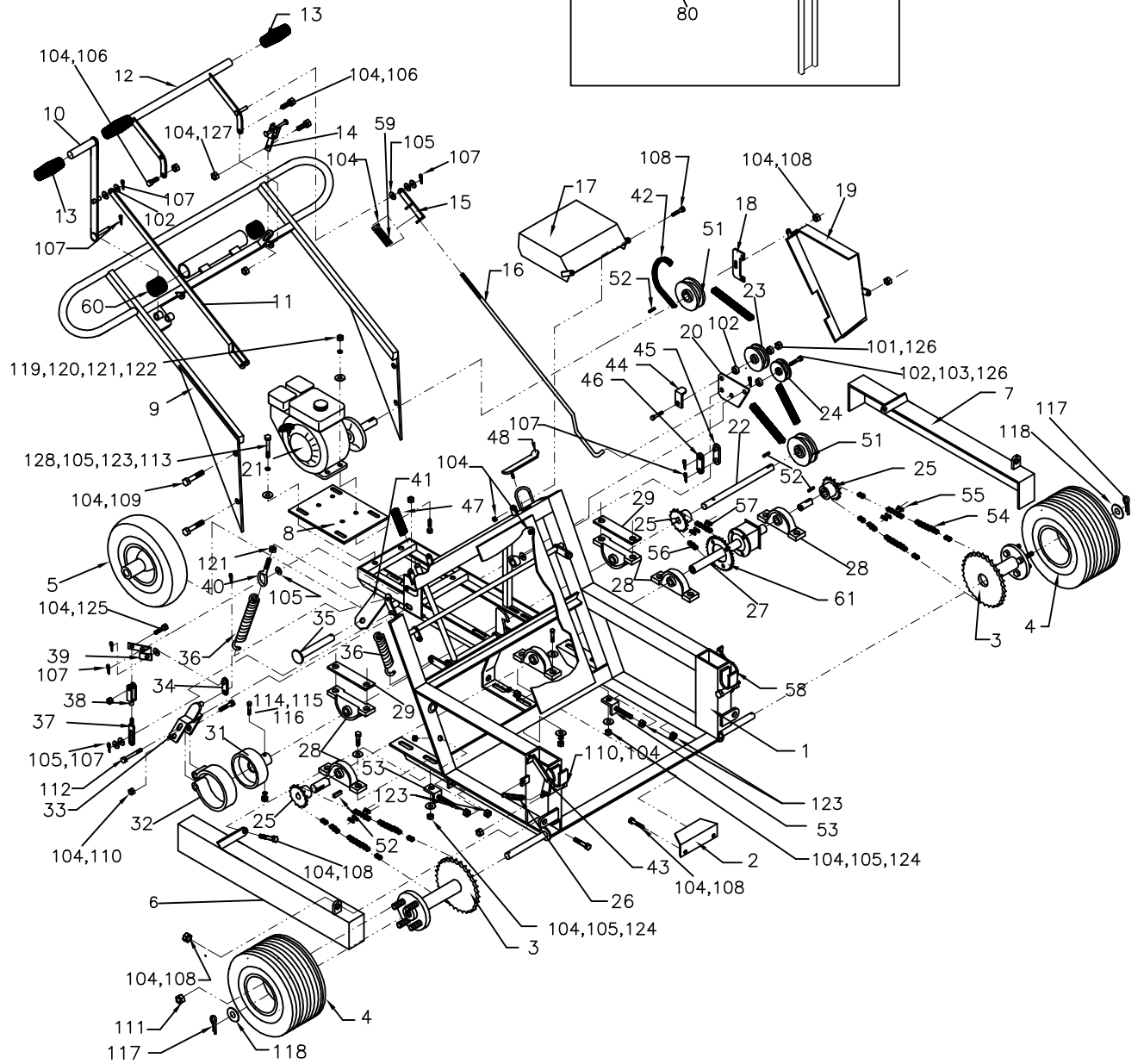
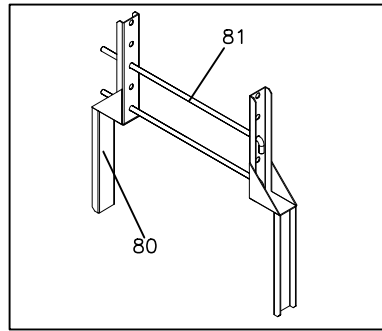


OPTION



MADE UNTIL AUGUST 1999

DATE:	09.15.1998	WORKHORSE
REV.:	01.01.2005	
EQUIPEMENT GRIZZLY EQUIPMENT		330000

ITEM	NO.	QTY.	DESCRIPTION	ITEM	NO.	QTY.	DESCRIPTION
1	330001	1	FRAME	51	921044	2	PULLEY
2	330002	1	PLATE	52	921302	5	KEY
3	330003	2	HUB ASSY.	53	330053	2	CHAIN AJUST. SCREW
4	935013	2	WHEEL, FRONT	54	330054	2	CHAIN,LARGE
5	935011	1	WHEEL, REAR	55	934034	3	MASTER LINK
6	330006	1	CHAINE GUARD, RIGHT	56	330056	1	CHAIN, SMALL
7	330007	1	CHAINE GUARD, LEFT	57	934035	1	LINK, OFFSET
8	330008	1	ENGINE BASE	58	330058	1	HOOK, LEFT
9	330009	1	HANDLEBAR	59	937003	1	SPRING
10	330010	1	LEVER, DOOR	60	940009	2	PLASTIC CAP
11	330011	1	CONTROL LINK	61	330061	1	SPROCKET
12	330012	1	CLUTCH HANDLE	101	910262	1	BOLT, HEX
13	940005	3	HANDLE GRIP	102	912005	3	WASHER
14	330014	1	NEUTRAL SWITCH	103	910257	1	BOLT, HEX
15	330015	1	CLUTCH LINKAGE	104	913507	36	LOCK-NUT
16	330016	1	CLUTCH ROD	105	912003	40	WASHER
17	330017	1	ENGINE COVER	106	910153	2	BOLT, HEX
18	330018	1	BELT GUARD BRACKET	107	914603	9	COTTER PIN
19	330019	1	BELT GUARD	108	910152	9	BOLT, HEX
20	330020	1	IDLER BRACKET	109	910156	4	BOLT, HEX
21	950161	1	ENGINE	110	910109	1	BOLT, HEX
22	330022	1	SHAFT	111	915301	8	NUT, HEX.
23	921401	1	IDLER PULLEY	112	910162	1	BOLT, HEX
24	921403	1	IDLER PULLEY	113	910158	4	BOLT, HEX
25	936110	3	SPROCKET	114	913003	1	NUT, HEX.
26	937007	2	SPRING	115	912501	1	LOCK-WASHER
27	940221	1	DIFFERENTIAL	116	910055	1	BOLT, HEX
28	923180	6	PILLOW BLOCK BEARING	117	914654	2	COTTER PIN
29	330029	2	BEARING PLATE	118	912013	2	WASHER
31	330031	1	BRAKE DRUM	119	910107	4	BOLT, HEX
32	330032	1	BRAKE BAND	120	912002	4	WASHER
33	330033	1	FORK, BRAKE BAND	121	913005	6	NUT, HEX.
34	330034	1	BRAKE LINKAGE	122	912502	4	LOCK-WASHER
35	900010	1	WHEEL AXLE	123	913007	6	NUT, HEX.
36	937011	2	SPRING	124	910155	10	BOLT, HEX
37	330037	1	BRAKE AJUST SCREW	125	910154	1	BOLT, HEX
38	915008	1	BRAKE YOKE	126	913511	2	LOCK-NUT
39	330039	1	LINKAGE	127	911151	1	CARRIAGE BOLT
40	915204	1	EYE BOLT	128	912503	4	LOCK-WASHER
41	900005	1	SWIVEL FORK	129	910152	6	BOLT,HEX.
42	920219	1	BELT	OPTION FOR HOT TANK			
43	330043	1	HOOK,RIGHT	ITEM	NO.	QTY.	DESCRIPTION
44	330044	1	BELT GUIDE	80	330100	2	CHANNEL IRON
45	330045	1	LINKAGE , MALE	81	144101	2	TANK ROD
46	330046	1	LINKAGE , FEMALE	MADE UNTIL AUGUST 1999			
47	940001	1	HANDLE GRIP	DATE: 09.15.1998		WORKHORSE	
48	330048	2	LOCK	REV.: 01.01.2005			
				EQUIPEMENT GRIZZLY EQUIPEMENT		330000	