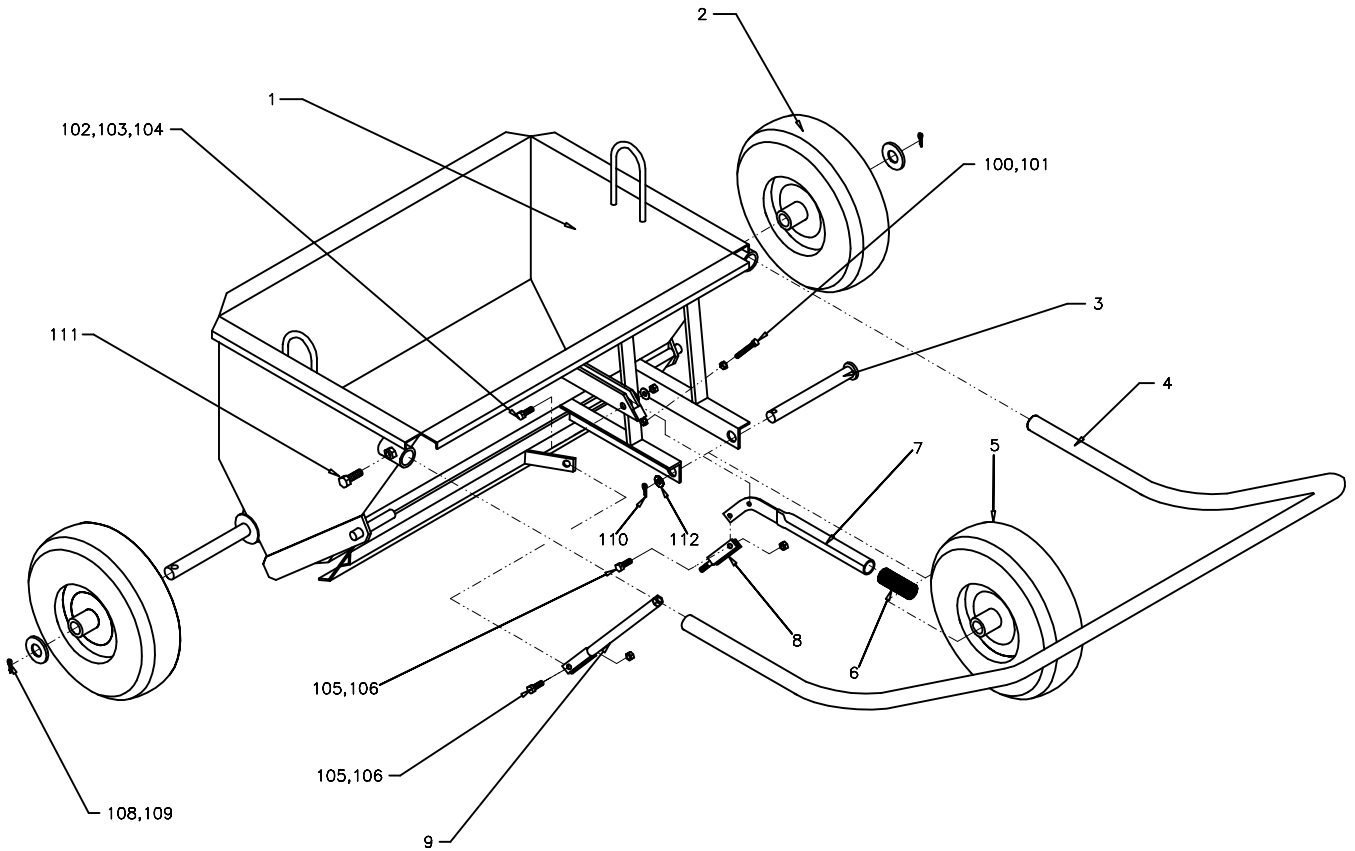


| ITEM. | NR. | QTE. | DESCRIPTION |
|-------|--------|------|-----------------------|
| 1 | 110001 | 1 | CHASSIS |
| 2 | 935009 | 2 | ROUE |
| 3 | 110003 | 1 | AXE DE ROUE |
| 4 | 110004 | 1 | GUIDON |
| 5 | 935010 | 1 | ROUE |
| 6 | 940005 | 1 | POIGNEE |
| 7 | 110007 | 1 | LEVIER DE CLAPET |
| 8 | 110008 | 1 | FOURCHETTE D'AJUSTEM. |
| 9 | 110009 | 1 | BRAS DE CLAPET |
| 100 | 910521 | 1 | BOULON HEX. |
| 101 | 913011 | 1 | ECROU |
| 102 | 910206 | 1 | BOULON HEX. |
| 103 | 912004 | 1 | RONDELLE |
| 104 | 913509 | 1 | ECROU AUTOBLOCCANT |
| 105 | 910154 | 2 | BOULON HEX. |
| 106 | 913507 | 2 | ECROU AUTOBLOCCANT |
| 108 | 914755 | 2 | GOUPILLE FENDUE |
| 109 | 912021 | 2 | RONDELLE |
| 110 | 914703 | 1 | GOUPILLE FENDUE |
| 111 | 910203 | 2 | BOULON HEX. |
| 112 | 912023 | 1 | RONDELLE |



| | | |
|--|------------|--------------------|
| DATE: | 19.08.1997 | EPANDEUR A GRAVIER |
| REV.: | 01.01.2011 | |
| EQUIPEMENT GRIZZLY EQUIPEMENT | | 110000 |